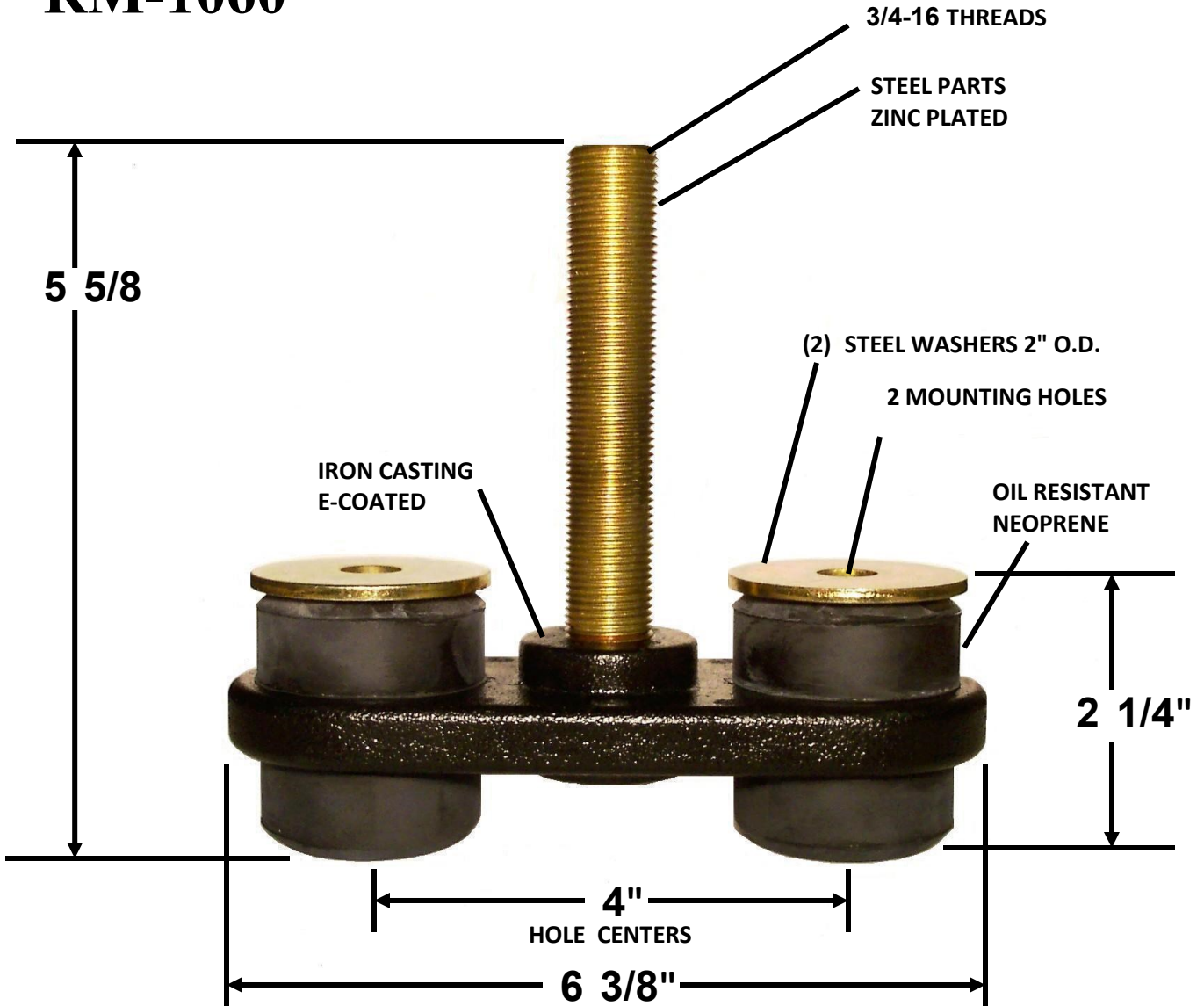


MARINE & INDUSTRIAL ENGINE VIBRATION ISOLATORS RM-1060



Manufactured in U.S.A.

RM-1060

The RM-1060 Rear Inboard Mount specifically developed for the transmission end of marine engine inboard applications. This mount provides a fail safe design developed to absorb the angular prop thrust loads exerted at peak torque minimizing forward angular mount movement. Features a heavy duty casting - coated black to resist corrosion. Durable oil and fuel resistant elastomer element. Low profile mount - requires only 2 3/8" minimum clearance from base to

top of leveling nut - allows the engine to be installed lower in the boat in space limited installations. Easy installation with zinc plated 3/4" threaded stud for vertical height adjustment, and 4" mounting hole centers for 1/2" bolts or lag screws.

SUGGESTED MOUNTINGS

**GAS INBOARD INSTALLATIONS
ENGINE TRANSMISSION END**

120 - 575 HP



BUSHINGS, INC.

1967 Rochester Industrial Drive

Rochester Hills, Michigan 48309-3340

Phone:(248)650-0603 Fax:(248)650-0606

www.bushingsinc.com

