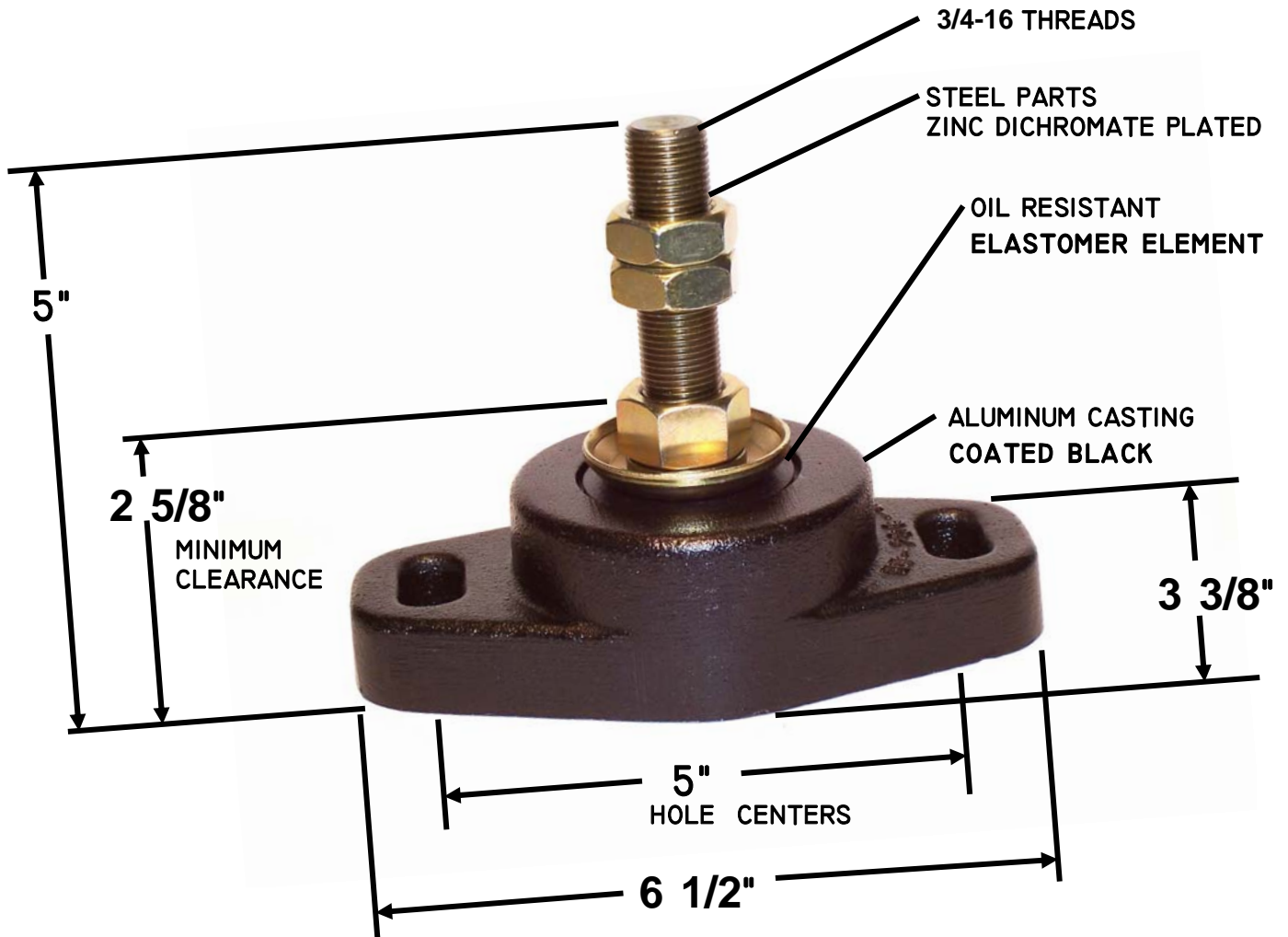


DUAL-FLEX MARINE & INDUSTRIAL ENGINE VIBRATION ISOLATORS DF-236-M1 SERIES



Manufactured in U.S.A.

DF-236-M1-SERIES

The (“Dual Flex”) DF-236-M1 Series of heavy duty mountings is designed principally for diesel engines in the 1,100 – 2,200 lb. range. Base casting features heavy duty aluminum alloy construction, with lip incorporated in the top of the casting to resist the upward pull of the engine – coated black to resist corrosion. Durable oil and fuel resistant elastomer element. Low profile mount - requires only 2 5/8” minimum clearance from casting base to top of leveling nut. Fail safe design -

bottom pad prevents excessive impact. Easy installation with 3/4" threaded stud for vertical height and slotted casting for horizontal adjustment. Mounts come complete - furnished with three nuts: leveling, locking and secondary lock. Aluminum base casting with 1/2" slotted holes for 1/2" bolts or lag screws. All steel parts are zinc dichromate plated for corrosion resistance. Available in three size ratings (shown below) dependant on engine/powertrain package weight.

SUGGESTED MOUNTINGS	
ENGINE WEIGHTS	4 POINT MOUNTINGS
1,100 to 1,500 lbs.	DF-236-M1
1,500 to 1,800 lbs.	DF-237-M1
1,800 to 2,200 lbs.	DF-238-M1

The Bushings, Inc. "Dual Flex" Marine Engine Mount design provides outstanding vibration isolation control across the three (longitudinal, lateral, and vertical) fields of vibratory motion. Construction of the mount gives a soft cushioning effect under normal loads, as mount loads increase across the operating range, shear resistance grows quickly providing smooth operation with a small amount of deflection.



BUSHINGS, INC.

1967 Rochester Industrial Drive

Rochester Hills, Michigan 48309-3340

Phone:(248)650-0603 Fax:(248)650-0606

www.bushingsinc.com

